

## M8 Male Front Mount Socket(Solder, Screw M8\*0.5)



- European standard Connectors M8 Series ,
- Structure type : Front Mount Socket ,
- Connection method : Solder ,
- Pin type : Male ,
- Contacts number : 3, 4, 5, 6, 8 pin ,
- Shield : No ,
- Certification : CE,RoHS,UL ,
- Standard : IEC 61076-2-104 ,

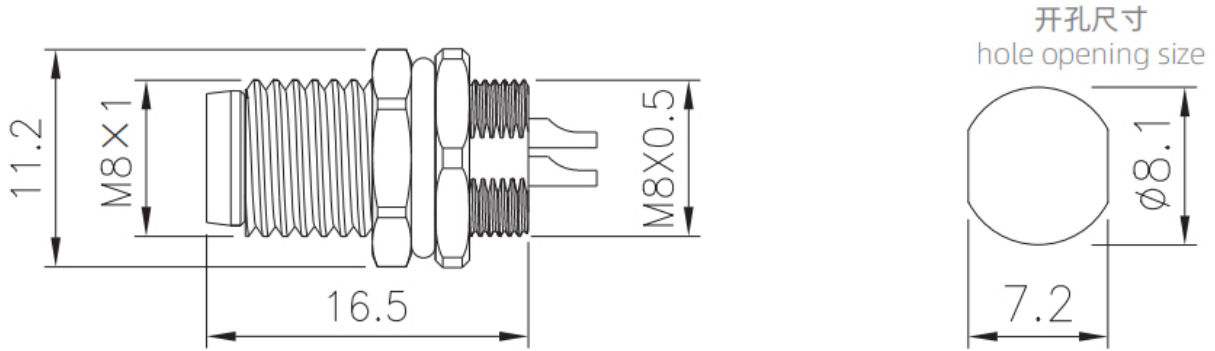
### MECHANICAL PARAMETERS

Shell material :	Brass nickel plated
Insulator material :	PA66
Sealing material :	Epoxy resin/Rubber
Contact material :	Phosphorus copper gold-plated/Brass copper gold-plated
Molding material :	TPU/PVC
Insulation impedance :	$\geq 100 \text{ M}\Omega$
Contact impedance :	$\leq 5 \text{ m}\Omega$
Durability :	$\geq 500$ Cycles
Applicable temperature :	-25°C ~ +80°C
Waterproof grade :	IP65/IP67
Execution standard :	IEC 61076-2-104

# M8 Male Front Mount Socket(Solder, Screw M8\*0.5)



## DATASHEET



## WIRE DEFINITION

芯位 Pins	线芯颜色 Wire core color
3芯(Pins)	
1	BN
2	-
3	BU
4	BK

芯位 Pins	线芯颜色 Wire core color	
	4芯A编码(4 Pins A-Code)	4芯D编码(4 Pins D-Code)
1	BN	YE
2	WH	WH
3	BU	OG
4	BK	BU

芯位 Pins	线芯颜色 Wire core color			
	5芯A编码(5 Pins A-Code)		5芯B编码(5 Pins B-Code)	
1	BN	BN	BN	BN
2	WH	WH	WH	WH
3	BU	BU	BU	BU
4	BK	BK	BK	BK
5	GY	GY	GY	GY

芯位 Pins	线芯颜色 Wire core color
6芯(Pins)	
1	BN
2	WH
3	BU
4	BK
5	GY
6	PK

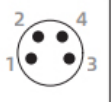
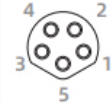
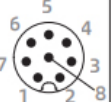
芯位 Pins	线芯颜色 Wire core color
8芯(Pins)	
1	WH
2	BN
3	GN
4	YE
5	GY
6	PK
7	BU
8	RD

\*接线定义按常规标准，如按协议或者其他请联系我司业务。

Wiring definition according to conventional standards, if according to the agreement or other please contact our sales.

## ELECTRICAL PARAMETERS

## [M8 Male Front Mount Socket\(Solder, Screw M8\\*0.5\)](#)

芯数 Pins	针型 Male			额定电流 Rated current	额定电压 Rated voltage		导体规格 Conductor size		孔型 Female		
	A	B	D		A/C	D/C	AWG	mm <sup>2</sup>	A	B	D
3				3A	60V	60V	24	0.25			
4				A型(A-Code): 3A D型(D-Code): 4A	A型(A-Code): 60V D型(D-Code): 48V	60V	24	0.25			
5				3A	30V	30V	24	0.25			
6				A型(A-Code): 1.5A D型(D-Code): 1.5A/3A	30V	30V	26	0.14			
8				1.5A	30V	30V	26	0.14			

## Ordering products

Product Name	Screw	Structure	Pins	Product No.	3D Download	2D Download
M8 Male Front Mount Socket-3A Pin	M8x0.5	Solder	3A	M8-P3A-GWB M8		
M8 Male Front Mount Socket-4A Pin	M8x0.5	Solder	4A	M8-P4A-GWB M8		
M8 Male Front Mount Socket-4D Pin	M8x0.5	Solder	4D	M8-P4D-GWB M8		
M8 Male Front Mount Socket-5B Pin	M8x0.5	Solder	5B	M8-P5B-GWB M8		
M8 Male Front Mount Socket-6A Pin	M8x0.5	Solder	6A	M8-P6A-GWB M8		
M8 Male Front Mount Socket-8A Pin	M8x0.5	Solder	8A	M8-P8A-GWB M8		